

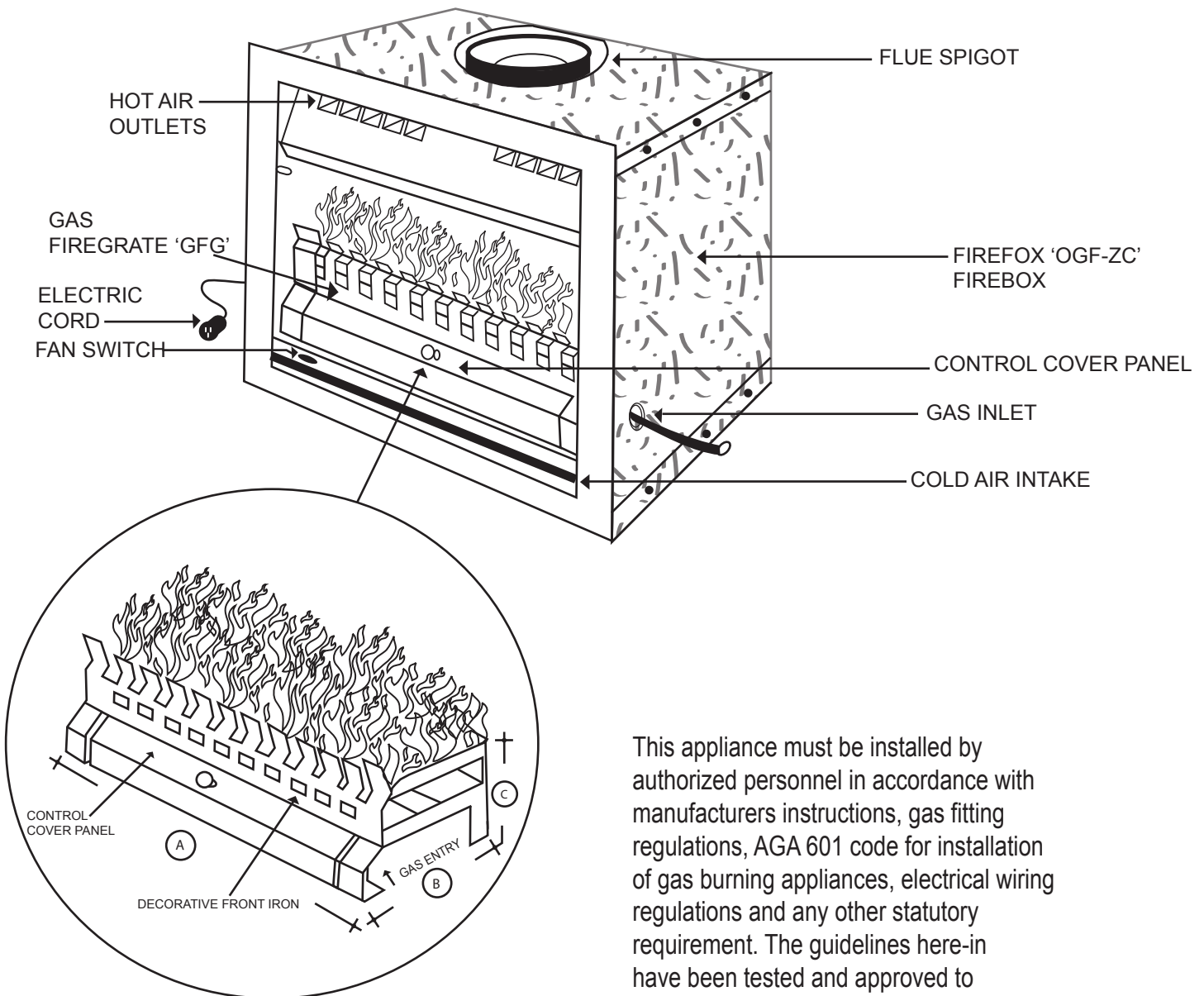


OGF - ZC Series

OPEN GAS FIREBOX

INSTALLATION & OPERATING INSTRUCTIONS

MODELS: OGF - 2.7/ZC
OGF - 3.0/ZC
OGF - 3.5/ZC



This appliance must be installed by authorized personnel in accordance with manufacturers instructions, gas fitting regulations, AGA 601 code for installation of gas burning appliances, electrical wiring regulations and any other statutory requirement. The guidelines here-in have been tested and approved to AS 4558/AG 108. AGA Approval No. 6386.

For the appropriate Gas Firegrate 'GFG' to be used in conjunction with the Gas Firebox (OGF). See specification pages on the back of booklet.



OGF - ZC Series

INSTALLATION REQUIREMENTS

DEFINITION

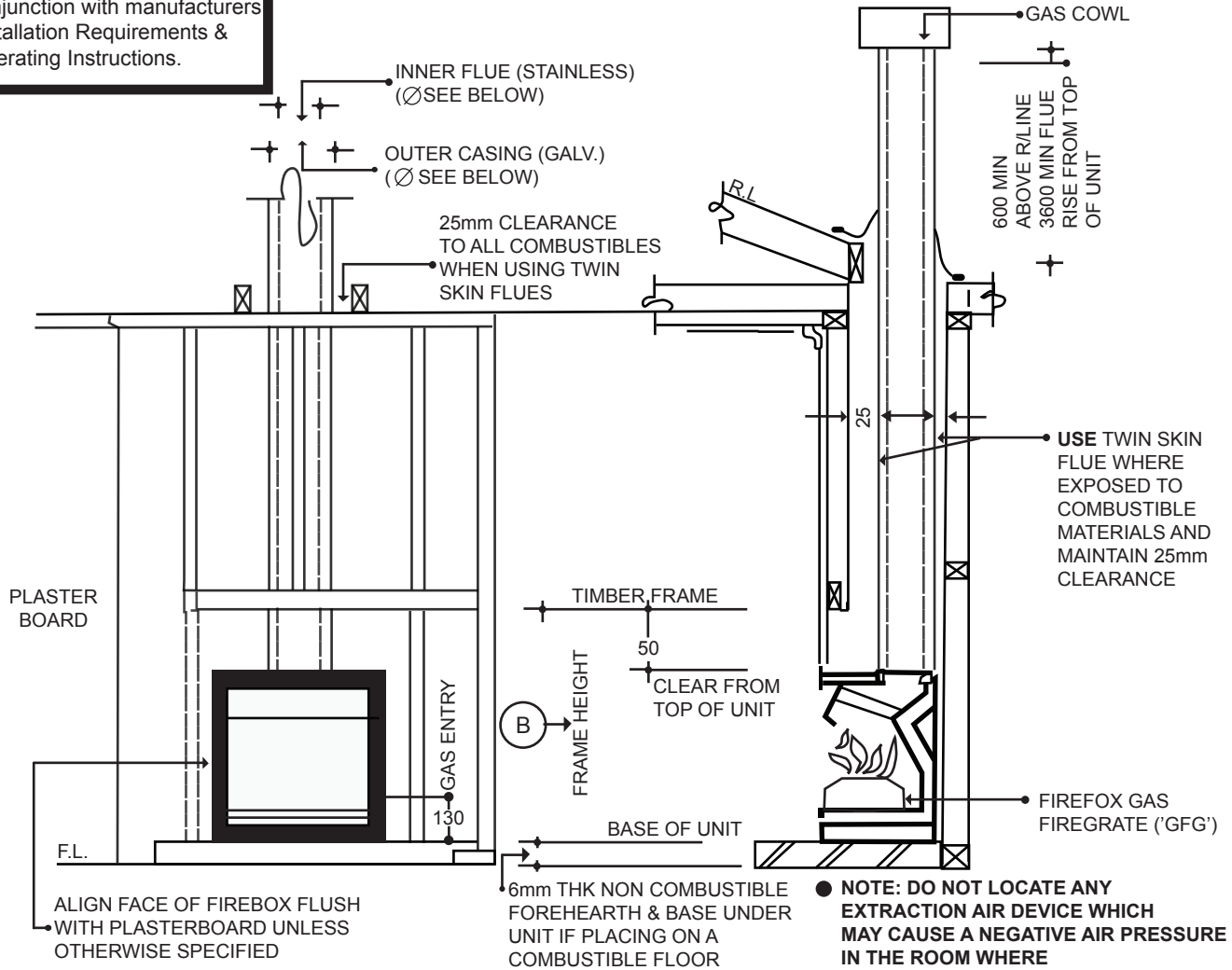
Installation of a Firefox OGF-ZC series open fronted steel firebox into a timber framed and plasterboard enclosure in conjunction with the specified steel flueing system to draw and exhaust combustion gases up and away from the gas log firegrate.

1. Ensure that any air extraction devices located in the vicinity of the fireplace will not cause a negative air pressure (suction) which could cause a spillage of combustion gases into the room where the firebox is located when in operation.
2. GAS SUPPLY REQUIREMENT: Provide a 12mm (1/2") copper gas pipe into the chamber with a tail approx. ¾ of the way into the firebox. An access hole is provided on the right hand side of the unit 130mm up from the base and 140mm in from the front of the unit. For MJ/HR rating of the gas firegrate burner refer to specification pages.
3. ELECTRICAL SUPPLY: The firebox is supplied with 1.5m of lead and a 3 pin plug located on the lower left hand side of the unit. The lead must not rise above 100mm of the base level of the firebox. If connecting to a wall mounted isolating switch, ensure that the switch is far enough away so as to not obstruct the fitting of a decorative surround i.e. mantelpiece.
4. Construct timber framing as required to suit the selected Firefox firebox (See example detail).
 - . Maintain 25mm clearance to the sides and back of the firebox and 50mm clearance from the top from combustible materials.
 - . Secure firebox into position with metal strapping.
 - . Plasterboard can be zero clearance to the perimeter face flange of the unit.
5. FLUEING REQUIREMENTS:
 - . Use the specified Twin Skin Flue system i.e. stainless steel inner flue PLUS the galvanized steel outer flue casing.
 - . Secure inner stainless flues at each crimp joint with 4 pop rivets.
 - . Secure outer galvanized casing at each crimp joint with 4 x 25mm self tapping screws.
 - . A 25mm clearance to all combustible materials is required from the outer flue casing.
 - . Fit approved cowl as specified for the selected firebox/flue.
6. Permanent ventilation equal to the cross sectional area of the specified firebox flue must be provided into the room/area the gas fire is located.
7. Use only the appropriate Firefox gas firegrate/burner (GFG) in conjunction with the selected Firefox OGF/ZC firebox See *GFG (GAS FIREGRATE) Specifications located in the following pages.*

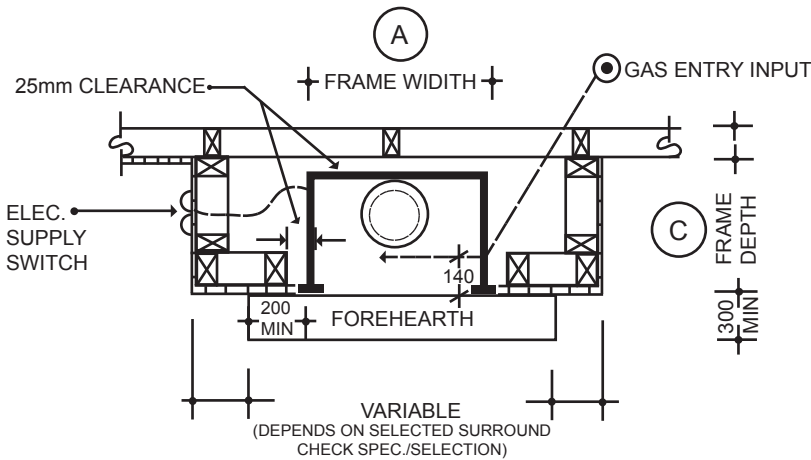
For installation and commissioning procedure of the gas burner/firegrate (GFG) refer to separate details entitled: INSTALLATION & OPERATING INSTRUCTIONS 'GFG' Series GAS FIREGRATES

e.g. Open Gas Firebox Installation into a Timber Framed Enclosure

EXAMPLE ONLY
This detail must be read in conjunction with manufacturers Installation Requirements & Operating Instructions.



- NOTE: DO NOT LOCATE ANY EXTRACTION AIR DEVICE WHICH MAY CAUSE A NEGATIVE AIR PRESSURE IN THE ROOM WHERE THE GAS FIRE IS LOCATED
- VENTILATION OF 400cm² IS REQUIRED INTO THE ROOM WHERE THE GAS FIRE IS LOCATED, e.g. ROOF/CEILING SPACE OUTSIDE WALL CAVITY OR SUB-FLR. AREA
- PLUMBING & ELECTRICAL MUST BE CARRIED OUT BY AN AUTHORISED PERSON



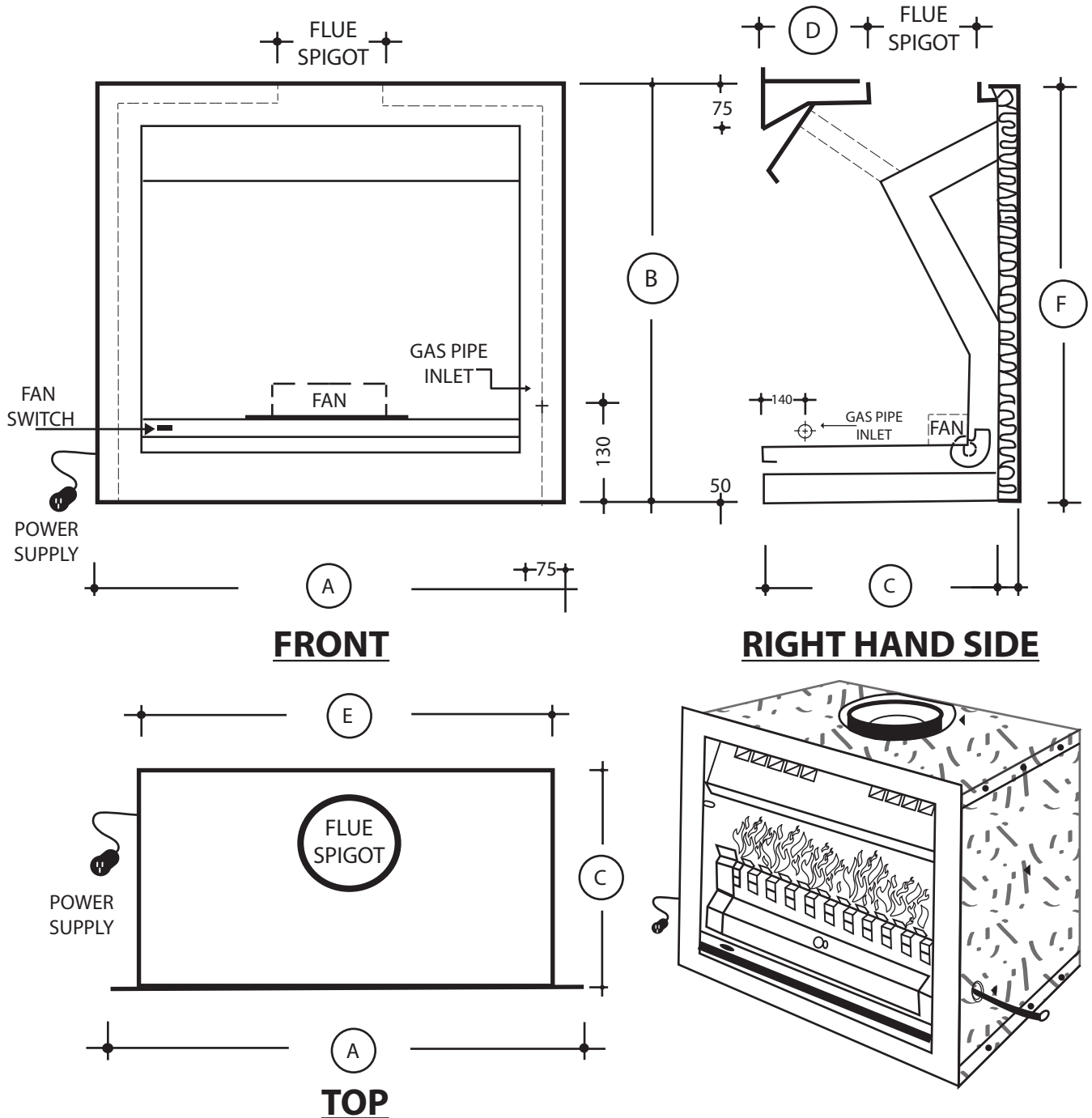
DIMENSIONAL REQUIREMENTS

MODEL	OGF - 27-ZC	OGF - 30-ZC	OGF - 35-ZC
A	770	830	950
B	705	740	775
C	430	440	460
INNER FLUE	178	203	229
OUTER CASING	229	254	280
GAS INPUT REQUIREMENTS			
Mj/hr	36	42	52

CHECK DATA PLATE ON 'GFG' FOR CORRECT GAS TYPE



OGF - ZC Series OPEN GAS FIREBOX SPECIFICATIONS



For installation and commissioning procedure of the Gas Firegrate/Burner 'GFG' refer to separate instructions entitled; **INSTALLATION & OPERATING INSTRUCTIONS 'GFG' Series FIREGRATES.**

FIREBOX MODEL	FIREBOX DIMENSIONS						FLUE Ø		APPROPRIATE GAS FIREGRATE 'GFG'
	A	B	C	D	E	F	INNER/OUTER		
OGF - 27/ZC	720	655	400	160	680	630	178 (7") / 229 (9")	GFG 2.7	GAS INPUT NG LP 36 - 35 Mj Hr
OGF - 30/ZC	780	690	420	155	740	665	203 (8") / 254 (10")	GFG 3.0	41 - 40 Mj Hr
OGF - 35/ZC	900	725	435	155	860	700	229 (9") / 280 (11")	GFG 3.5	52 - 50 Mj Hr



OGF - ZC Series

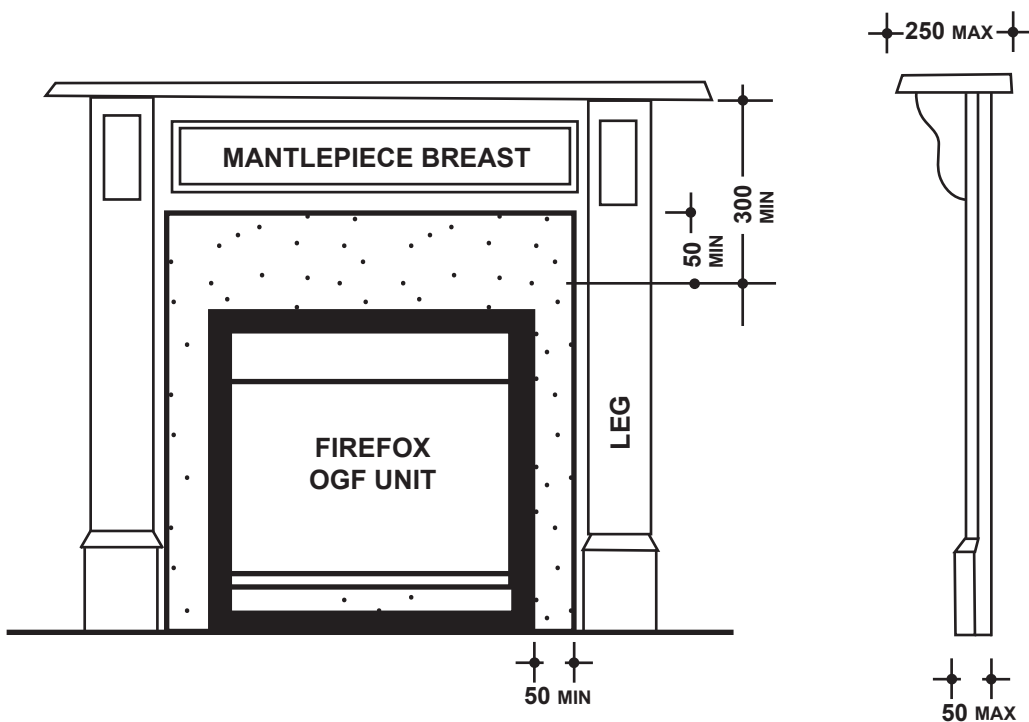
CLEARANCE TO COMBUSTIBLE DECORATIVE SURROUNDS

Decorative surrounds i.e. timber mantelpieces/combustible moulding must be 50mm (min) clear of the face side edges and top face edge of the firebox.

Upright legs and breast sections of combustible surrounds must not project further than 50mm (max) forward of the face of the firebox.

Mantle shelves must be 300mm (min) clear above the top edge of the firebox and must not project more than 250mm (max) forward of the face of the firebox.

A non-combustible floor protector (forehearth) at the base directly in front of the firebox opening must be a minimum of 6mm thick, project a minimum 300mm forward and 200mm on each side of the firebox opening.





OGF - ZC Series USER INSTRUCTIONS

Congratulations on having a FIREFOX fan forced gas log fire installed in your home. We are sure it will provide you with many years of realistic fireside pleasure, comfort and enjoyment.

It is important that you familiarize yourself with the appliance by reading through these instructions.

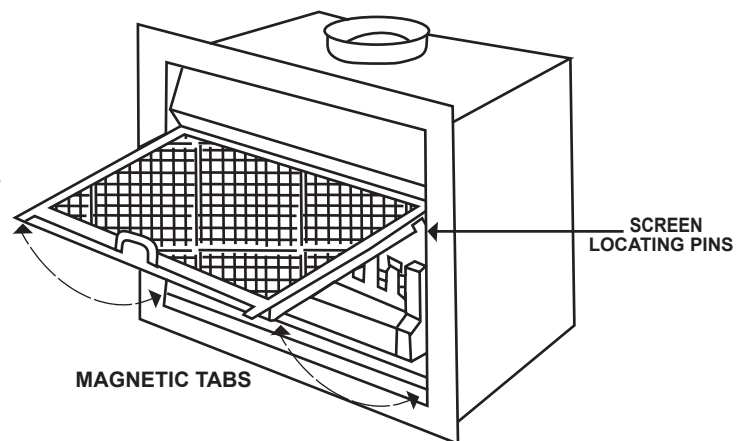
If your installer has not shown you how to light the FIREFOX gas firegrate which has been fitted into the unit, refer to the separate booklet entitled INSTALLATION & OPERATING INSTRUCTIONS - GFG SERIES (Gas Firegrates -L/C effect) under Lighting Burner & Commissioning and also familiarize yourself with the USER INSTRUCTIONS contained there-in.

Your FIREFOX gas firebox incorporates a sophisticated heat exchanger design which collects heat and a 2 speed fan which transfers the collected heat into the room/area where the FIREFOX is located. The fan control switch is located on the lower left hand front of the unit. The fan can remain OFF whilst the gas firegate is in operation. To boost heat output simply select one of the two fan speeds available i.e. LOW or HIGH.

Your FIREFOX gas unit is relatively maintenance free. However we recommend that you have the appliance/installation checked once a year to ensure correct operation.

SAFETY PRECAUTIONS

As with any live naked flame burning apparatus, it is important in order to protect against personal injury or property damage to treat its operation with care and respect. A safety screen/fireguard should be used for the protection of children, elderly and infirm.



WARNING

**DO NOT PLACE FOREIGN ARTICLES ON OR AGAINST THE APPLIANCE.
DO NOT USE OR STORE FLAMMABLE MATERIALS NEAR THE APPLIANCE.
DO NOT SPRAY AEROSOLS IN THE VICINITY OF THE APPLIANCE WHILST IN OPERATION.
DO NOT USE GAS LOGS/COALS BURNERS OTHER THAN THAT SPECIFIED FOR THE APPLIANCE.**