

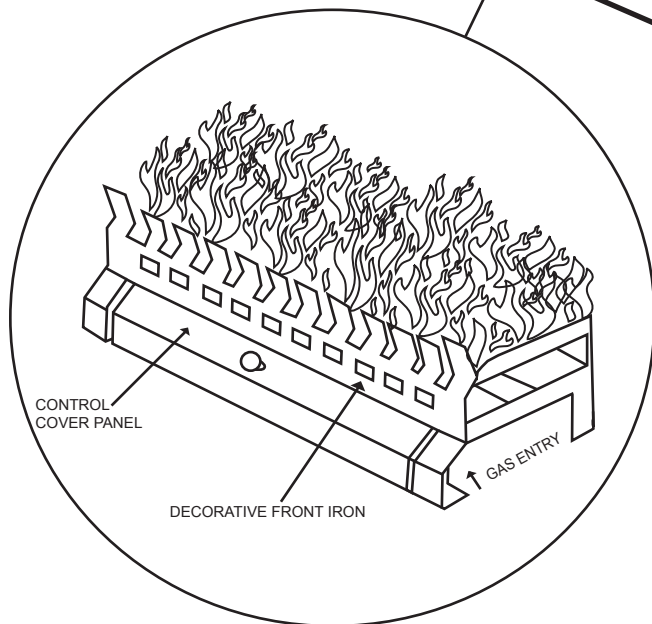
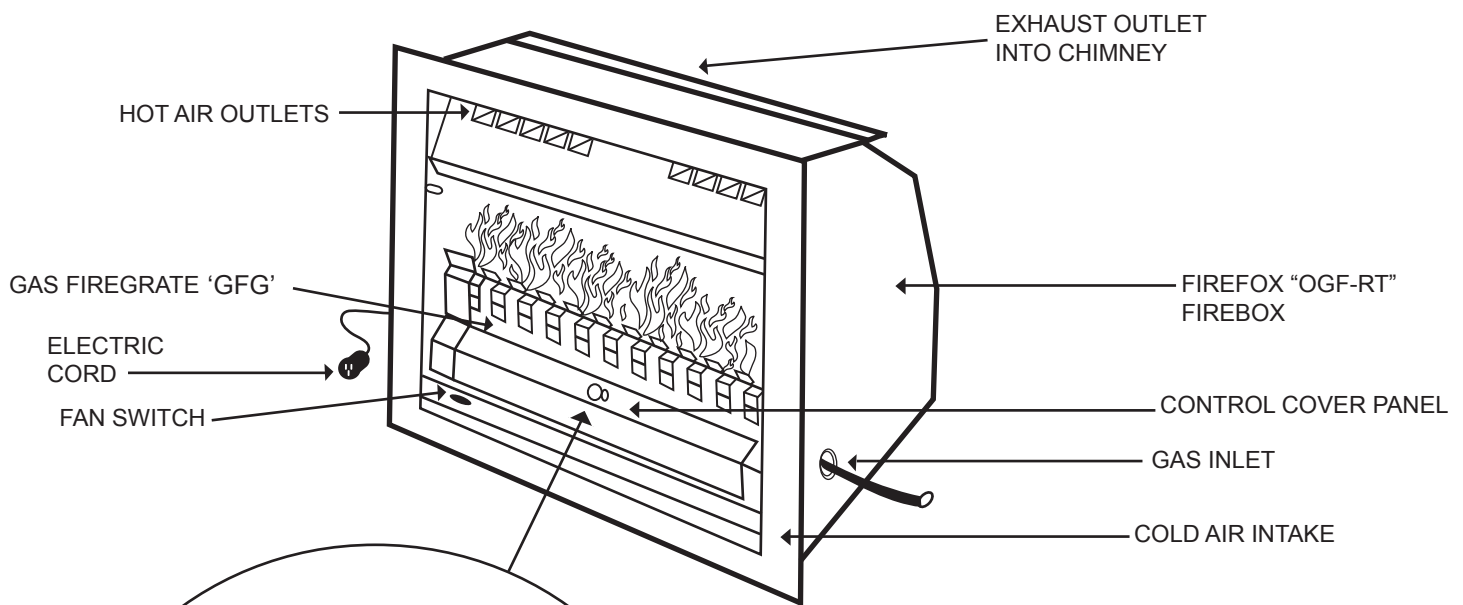


# OGF - RT Series

OPEN GAS FIREBOX

## INSTALLATION & OPERATING INSTRUCTIONS

MODELS: OGF - 2.7/RT  
OGF - 3.0/RT  
OGF - 3.5/RT



For the appropriate Gas Firegrate 'GFG' to be used in conjunction with the Gas Firebox (OGF). See specification pages on the back of booklet.

This appliance must be installed by authorized personnel in accordance with manufacturers instructions, gas fitting regulations, AGA 601 code for installation of gas burning appliances, electrical wiring regulations and any other statutory requirement. The guidelines here-in have been tested and approved to AS 4558/AG 108. AGA Approval No. 6386.

**FIREFOX INDUSTRIES PTY LTD** ACN 074 490 654

Factory 4, 15 Stud Road Bayswater, Victoria 3153 AUSTRALIA Ph: (03) 9720 9055 Fax: (03) 9720 9255



## OGF - RT Series

### INSTALLATION REQUIREMENTS

#### DEFINITION

Installation of a Firefox OGF-RT series open fronted steel firebox into an existing fireplace chamber and chimney which must be completely constructed of masonry and otherwise suitable for solid fuel burning e.g. wood.

1. Check that the fireplace chamber and chimney is structurally sound.
2. Chimney dampers or baffles must be removed or permanently fixed open. The chimney must be free of any obstructions which may cause a restriction in up-draught. It is mandatory that the fireplace has sufficient up-draught in order to draw and exhaust combustion gases away and up the chimney.
3. Check that any air extraction devices located in the vicinity of the fireplace do not cause a negative air pressure (suction) which could cause a spillage of combustion gases into the room where the fireplace is located when in operation.
4. Permanent ventilation with a minimum cross sectional area of 40,000mm sq (64" sq) must be provided into the room/area where the gas fire is located.
5. The fireplace chamber must be wide and deep enough to fully accommodate the Firefox steel firebox. The masonry rollback at the rear of the existing fireplace chamber may be removed if extra depth is required. The exhaust outlet at the top of the Firefox gas firebox must be free of obstruction so combustion waste can exhaust freely up into the chimney and away.
6. GAS SUPPLY REQUIREMENT: Provide a 12mm (1/2") copper gas pipe into the chamber with a tail approx. ¾ of the way into the firebox. An access hole is provided on the right hand side of the unit 130mm up from the base and 140mm in from the front of the unit. For MJ/HR rating of the gas firegrate burner refer to specification pages.
7. ELECTRICAL SUPPLY: The firebox is supplied with 1.5m of lead and a 3 pin plug located on the lower left hand side of the unit. The lead must not rise above 100mm of the base level of the firebox. If connecting to a wall mounted isolating switch, ensure that the switch is far enough away so as to not obstruct the fitting of a decorative surround i.e. mantelpiece.
8. Wrap the firebox with the insulation provided and slide the unit into the chamber. The firebox must be completely sealed around the perimeter face of the existing fireplace opening.
9. Use only the appropriate Firefox gas firegrate/burner (GFG) in conjunction with the selected Firefox OGF/RT firebox See *GFG Series (GAS FIREGRATE) specifications, located in the following pages.*
10. A gas cowl with a minimum diameter of 225mm approved AGA must be fitted to the top of the chimney.

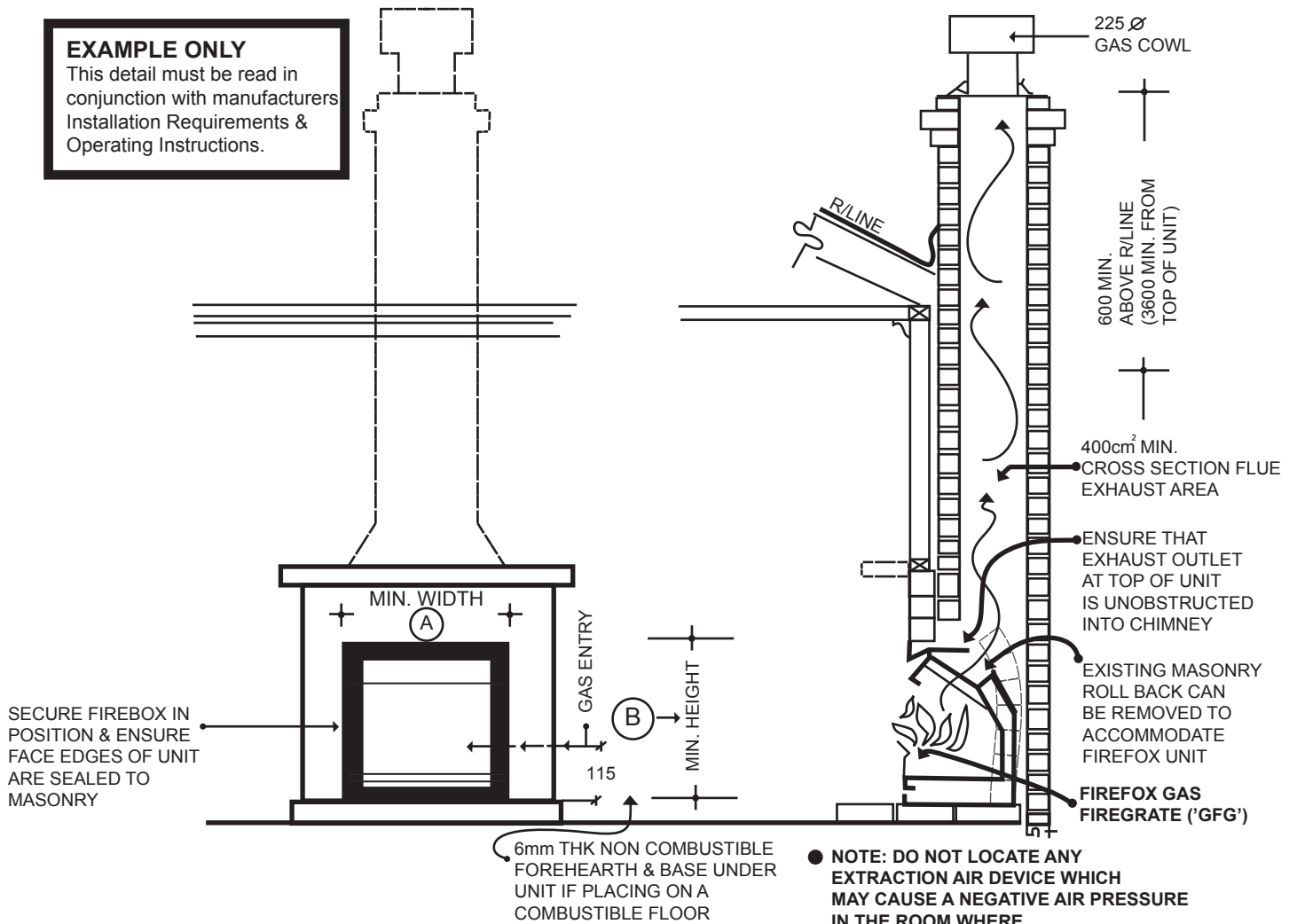
For installation and commissioning procedure of the gas burner/firegrate (GFG) refer to separate details entitled: INSTALLATION & OPERATING INSTRUCTIONS 'GFG' Series GAS FIREGRATES.



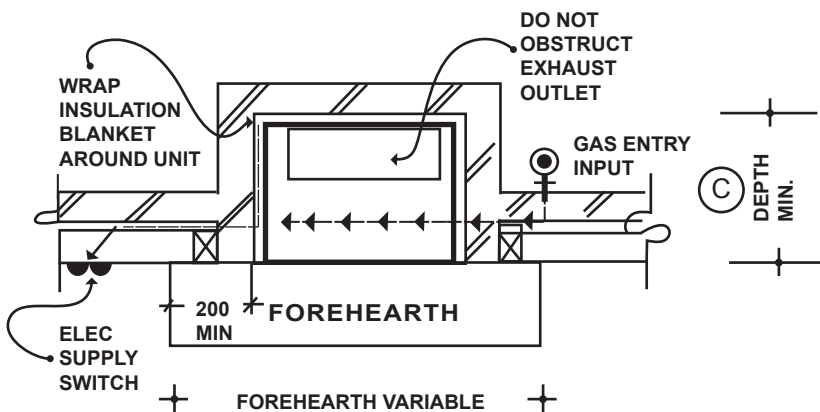
# OGF - RT Series

e.g. Open Gas Firebox into an Existing Masonry Fireplace & Chimney

**EXAMPLE ONLY**  
This detail must be read in conjunction with manufacturers Installation Requirements & Operating Instructions.



SECURE FIREBOX IN POSITION & ENSURE FACE EDGES OF UNIT ARE SEALED TO MASONRY



- NOTE: DO NOT LOCATE ANY EXTRACTION AIR DEVICE WHICH MAY CAUSE A NEGATIVE AIR PRESSURE IN THE ROOM WHERE THE GAS FIRE IS LOCATED
- VENTILATION OF 400cm<sup>2</sup> IS REQUIRED INTO THE ROOM WHERE THE GAS FIRE IS LOCATED, e.g. ROOF/CEILING SPACE OUTSIDE WALL CAVITY OR SUB-FLR. AREA
- PLUMBING & ELECTRICAL MUST BE CARRIED OUT BY AN AUTHORISED PERSON

**DIMENSIONAL REQUIREMENTS**

MODEL	OGF - 27-RT	OGF - 30-RT	OGF - 35-RT
A	650	710	830
B	590	590	590
C	385	385	385

MINIMUM CROSS SECTION AREA OF CHIMNEY FLUE REQ 400cm<sup>2</sup>

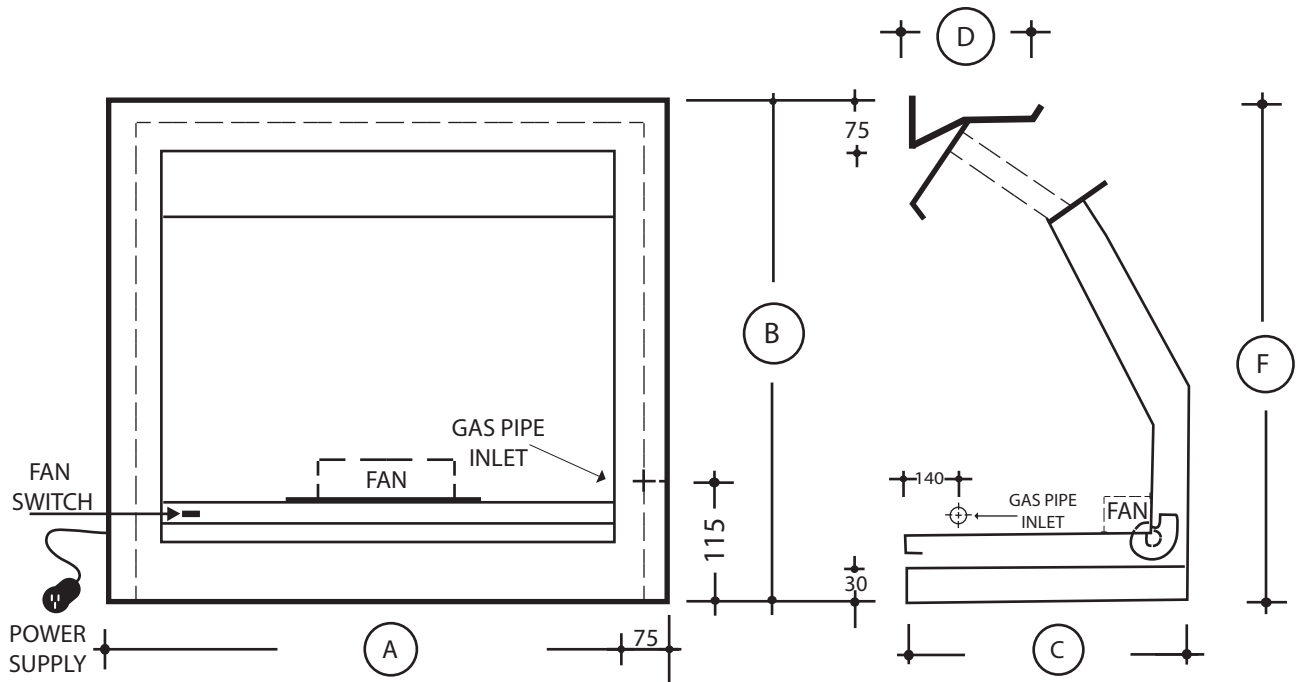
GAS INPUT REQUIREMENTS			
Mj/hr	36	42	52

CHECK DATA PLATE ON 'GFG' FOR CORRECT GAS TYPE



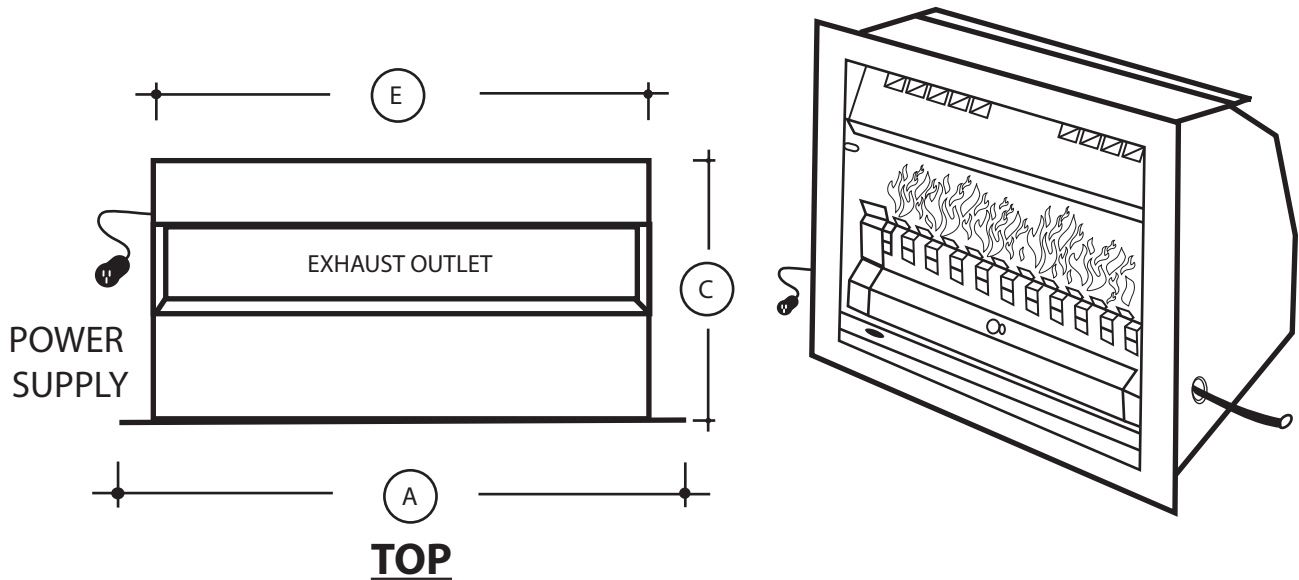
# OGF - RT Series

## OPEN GAS FIREBOX SPECIFICATIONS



**FRONT**

**RIGHT HAND SIDE**



**TOP**

For installation and commissioning procedure of the Gas Firegrate/Burner 'GFG' refer to separate instructions entitled; **INSTALLATION & OPERATING INSTRUCTIONS 'GFG' Series FIREGRATES.**

FIREBOX MODEL	FIREBOX DIMENSIONS						CHIMNEY FLUE Ø	APPROPRIATE GAS FIREGRATE 'GFG'		
	A	B	C	D	E	F			GAS INPUT NG LP	
OGF - 27/RT	720	640	370	210	620	590	400cm <sup>2</sup> (64inch) <sup>2</sup> CROSS SECTION EXHAUST AREA	} GFG 2.7	36 - 35 Mj Hr	
OGF - 30/RT	780	640	370	210	680	590			} GFG 3.0	41 - 40 Mj Hr
OGF - 35/RT	900	640	370	210	800	590			} GFG 3.5	52 - 50 Mj Hr



## OGF - RT Series

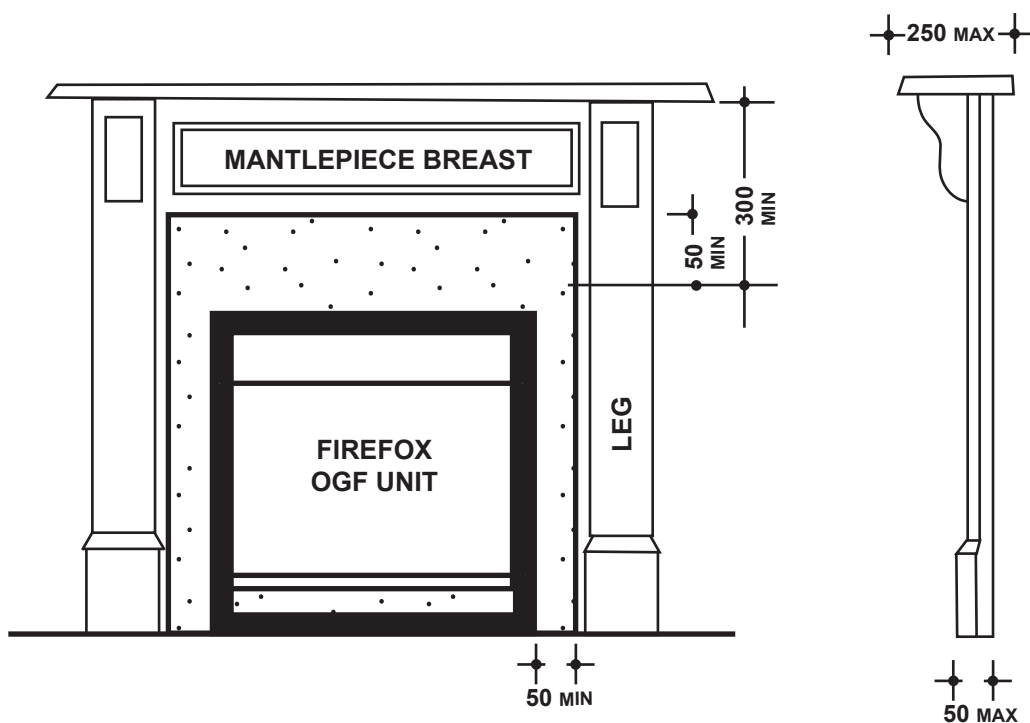
### CLEARANCE TO COMBUSTIBLE DECORATIVE SURROUNDS

Decorative surrounds i.e. timber mantelpieces/combustible moulding must be 50mm (min) clear of the face side edges and top face edge of the firebox.

Upright legs and breast sections of combustible surrounds must not project further than 50mm (max) forward of the face of the firebox.

Mantle shelves must be 300mm (min) clear above the top edge of the firebox and must not project more than 250mm (max) forward of the face of the firebox.

A non-combustible floor protector (forehearth) at the base directly in front of the firebox opening must be a minimum of 6mm thick, project a minimum 300mm forward and 200mm on each side of the firebox opening.





## OGF - RT Series USER INSTRUCTIONS

Congratulations on having a FIREFOX fan forced gas log fire installed in your home. We are sure it will provide you with many years of realistic fireside pleasure, comfort and enjoyment.

It is important that you familiarize yourself with the appliance by reading through these instructions.

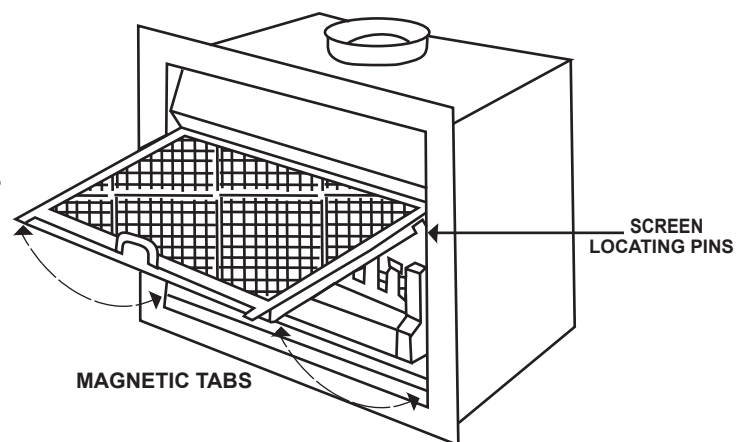
If your installer has not shown you how to light the FIREFOX gas firegrate which has been fitted into the unit, refer to the separate booklet entitled **INSTALLATION & OPERATING INSTRUCTIONS - GFG SERIES (Gas Firegrates -L/C effect)** under **Lighting Burner & Commissioning** and also familiarize yourself with the **USER INSTRUCTIONS** contained there-in.

Your FIREFOX gas firebox incorporates a sophisticated heat exchanger design which collects heat and a 2 speed fan which transfers the collected heat into the room/area where the FIREFOX is located. The fan control switch is located on the lower left hand front of the unit. The fan can remain OFF whilst the gas firegate is in operation. To boost heat output simply select one of the two fan speeds available i.e. **LOW** or **HIGH**.

Your FIREFOX gas unit is relatively maintenance free. However we recommend that you have the appliance/installation checked once a year to ensure correct operation.

### SAFETY PRECAUTIONS

As with any live naked flame burning apparatus, it is important in order to protect against personal injury or property damage to treat its operation with care and respect. A safety screen/fireguard should be used for the protection of children, elderly and infirm.



### WARNING

**DO NOT PLACE FOREIGN ARTICLES ON OR AGAINST THE APPLIANCE.**  
**DO NOT USE OR STORE FLAMMABLE MATERIALS NEAR THE APPLIANCE.**  
**DO NOT SPRAY AEROSOLS IN THE VICINITY OF THE APPLIANCE WHILST IN OPERATION.**  
**DO NOT USE GAS LOGS/COALS BURNERS OTHER THAN THAT SPECIFIED FOR THE APPLIANCE.**