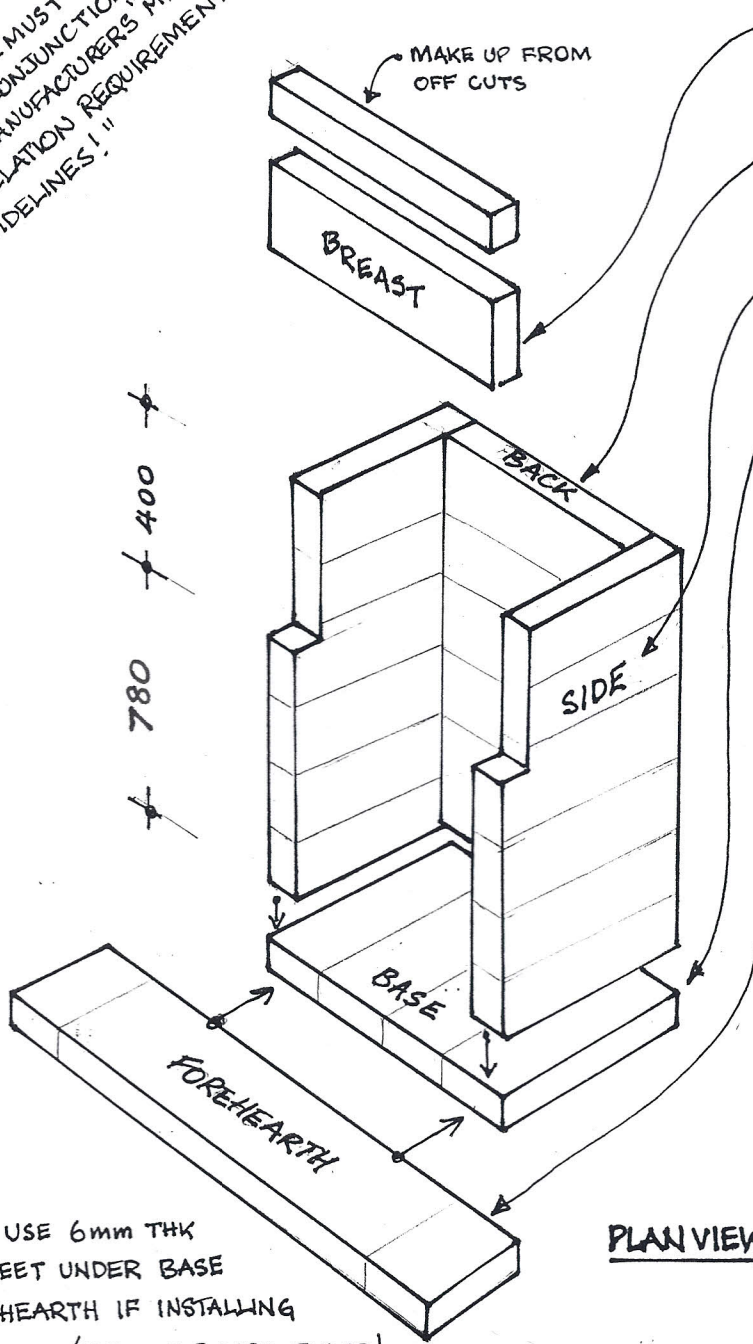


STANDARD HEBEL BLOCK ENCLOSURE

FOR MODEL: **OFP4-0WD**

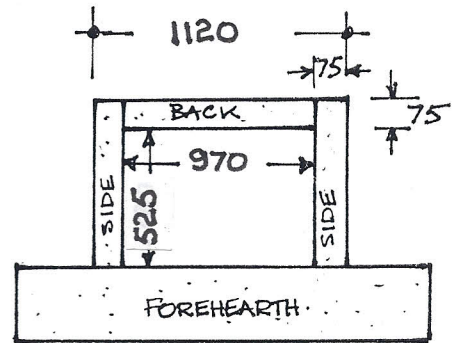
* THIS DETAIL MUST BE READ IN CONJUNCTION WITH MANUFACTURERS' MINIMUM INSTALLATION REQUIREMENTS & GUIDELINES! *



- BREAST = 1 x POWER PANEL
1120 x 300 x 75 THK
- BACK = 12 x BLOCKS
600 x 200 x 75 THK
- SIDES = 12 x BLOCKS
600 x 200 x 75 THK
- BASE = 6 x BLOCKS
600 x 200 x 75 THK
- F' HEARTH = 1 x POWER PANEL
1200 x 300 x 75 THK
+ PLUS Additional blocks as required.

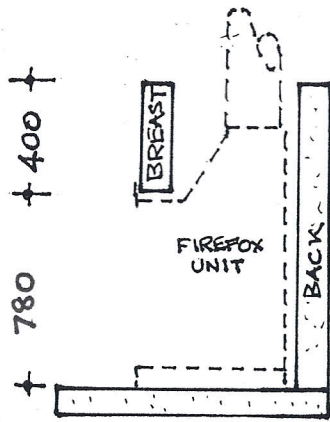
- TOTAL BLOCKS = 34 (600x200x75)
- P. PANEL = 2 (1200x300x75)
- ADHESIVE = 1 (Bag Thin Bed)

PLAN VIEW



* NOTE USE 6mm THK F.C. SHEET UNDER BASE & FOREHEARTH IF INSTALLING ON TIMBER/PARTICLE BOARD FLOOR!

SECTION



FRONT ELEV

