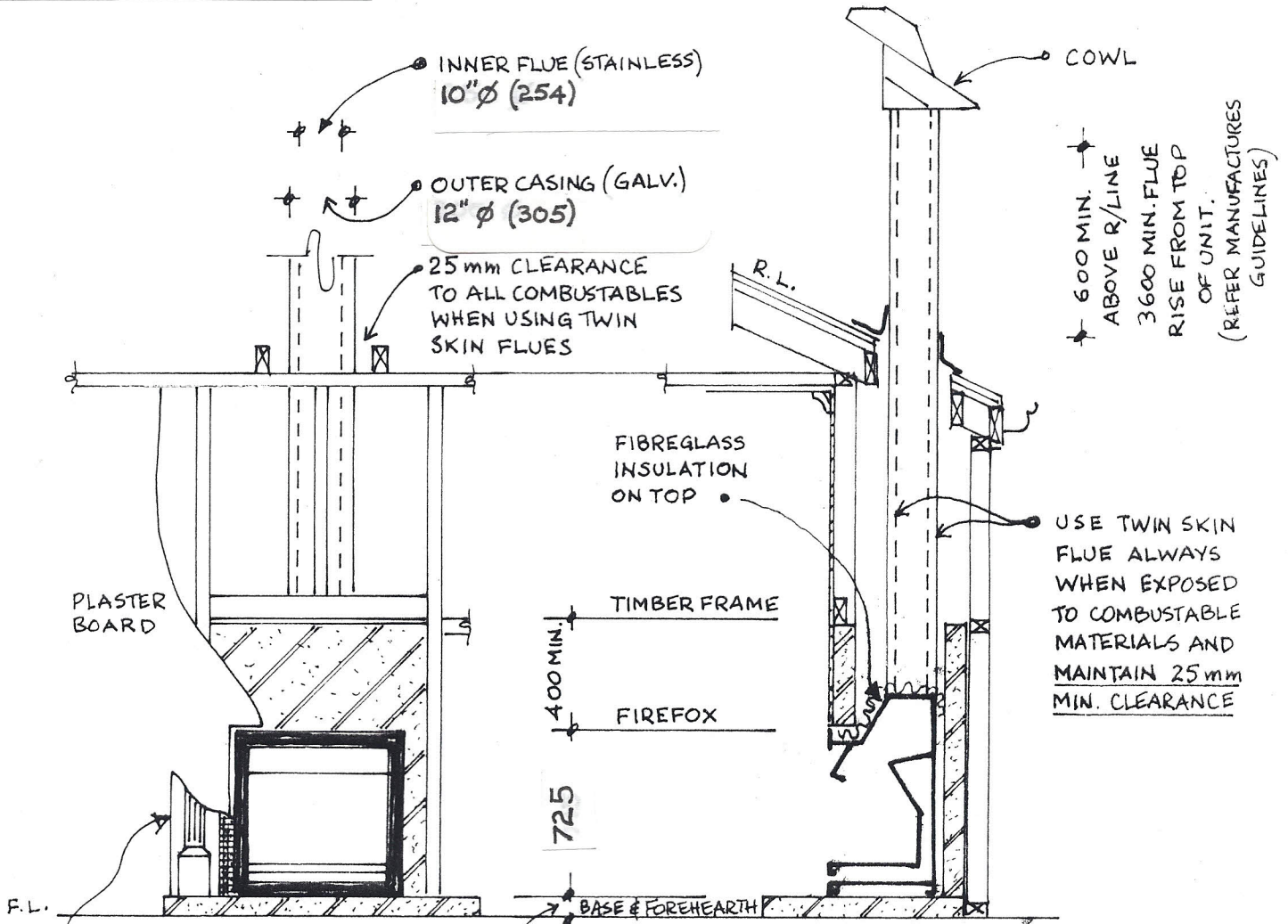




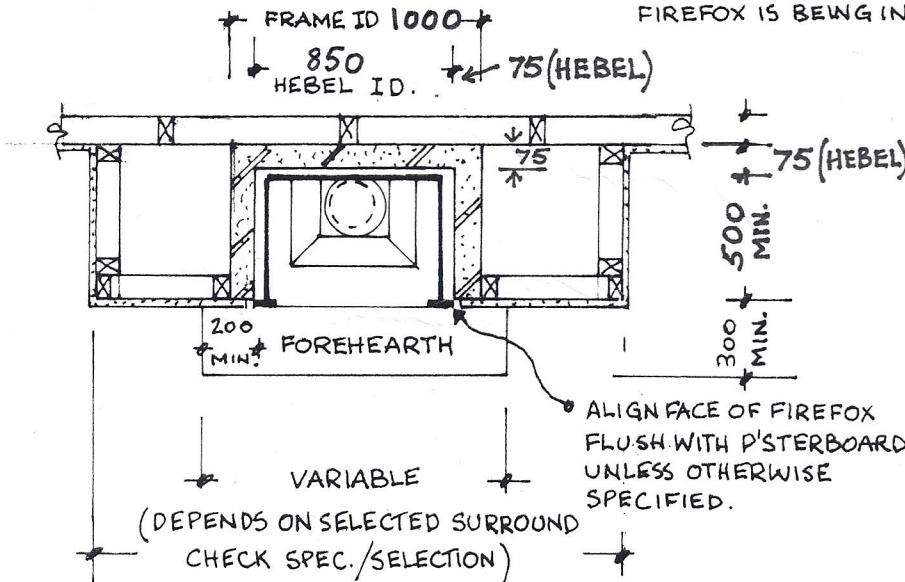
EXAMPLE ONLY

MODEL;
OFP 3.5 WD
 (WOOD FIREBOX - HEBEL ENCLOSED)



OPTIONAL DECORATIVE SURROUND. CHECK SPEC/ SELECTION & CLEARANCE REQUIREMENTS.

HEIGHT OF BASE & FOREHEARTH IS VARIABLE - CHECK SPEC./SELECTION. HOWEVER IT MUST BE A MINIMUM 75 mm THICKNESS OF NON-COMBUSTABLE MATERIAL PLUS A 6 mm UNDERLAY OF CEMENT SHEET IF THE FIREFOX IS BEING INSTALLED UPON A TIMBER FLOOR.



NOTE

- THIS DETAIL MUST BE READ IN CONJUNCTION WITH MANUFACTURERS MINIMUM REQUIREMENTS AND GUIDELINES FOR SAFE INSTALLATIONS AS APPROVED IN TERMS OF AS.2918