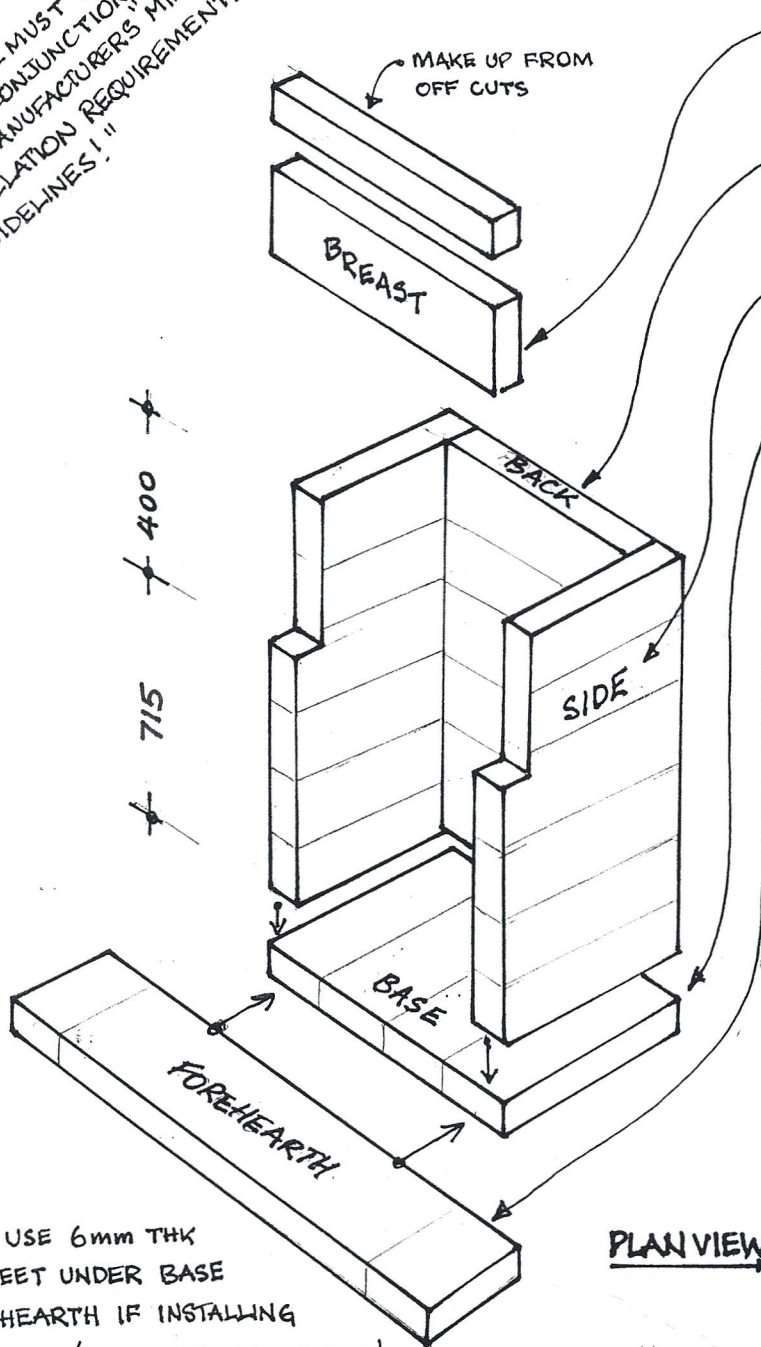


STANDARD HEBEL BLOCK ENCLOSURE

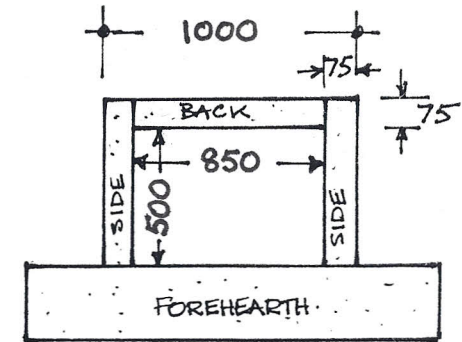
FOR MODEL: **OFP 3.5 WD**

* THIS DETAIL MUST BE READ IN CONJUNCTION WITH MANUFACTURER'S MINIMUM INSTALLATION REQUIREMENTS & GUIDELINES!



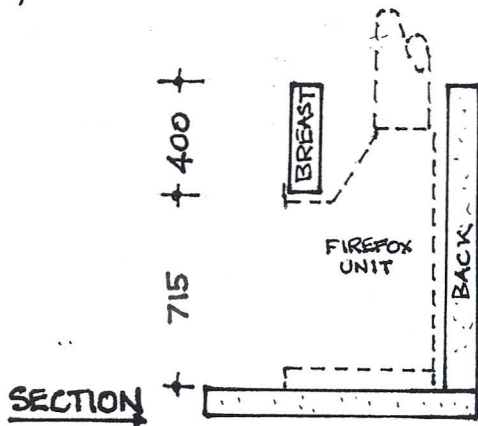
- BREAST = 1 x POWER PANEL
1000 x 300 x 75 THK
- BACK = 10 x BLOCKS
600 x 200 x 75 THK
- SIDES = 12 x BLOCKS
600 x 200 x 75 THK
- BASE = 5 x BLOCKS
600 x 200 x 75 THK
- F' HEARTH = 1 x POWER PANEL
1200 x 300 x 75 THK
+ PLUS Additional blocks as required.

- TOTAL BLOCKS = 30 (600x200x75)
- P. PANEL = 2 (1200x300x75)
- ADHESIVE = 1 (Bag Thin Bed)

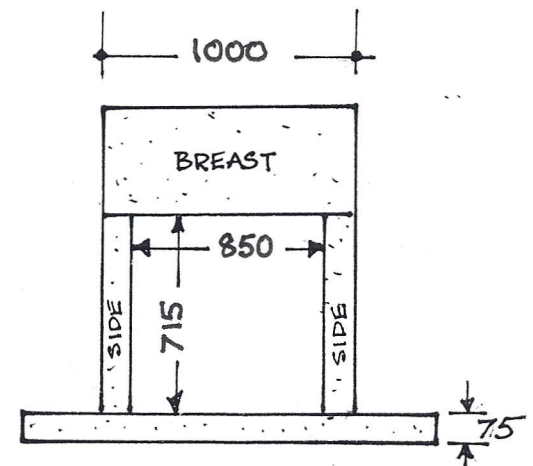


PLAN VIEW

* NOTE USE 6mm THK F.C. SHEET UNDER BASE & FOREHEARTH IF INSTALLING ON TIMBER/PARTICLE BOARD FLOOR!



SECTION



FRONT ELEV