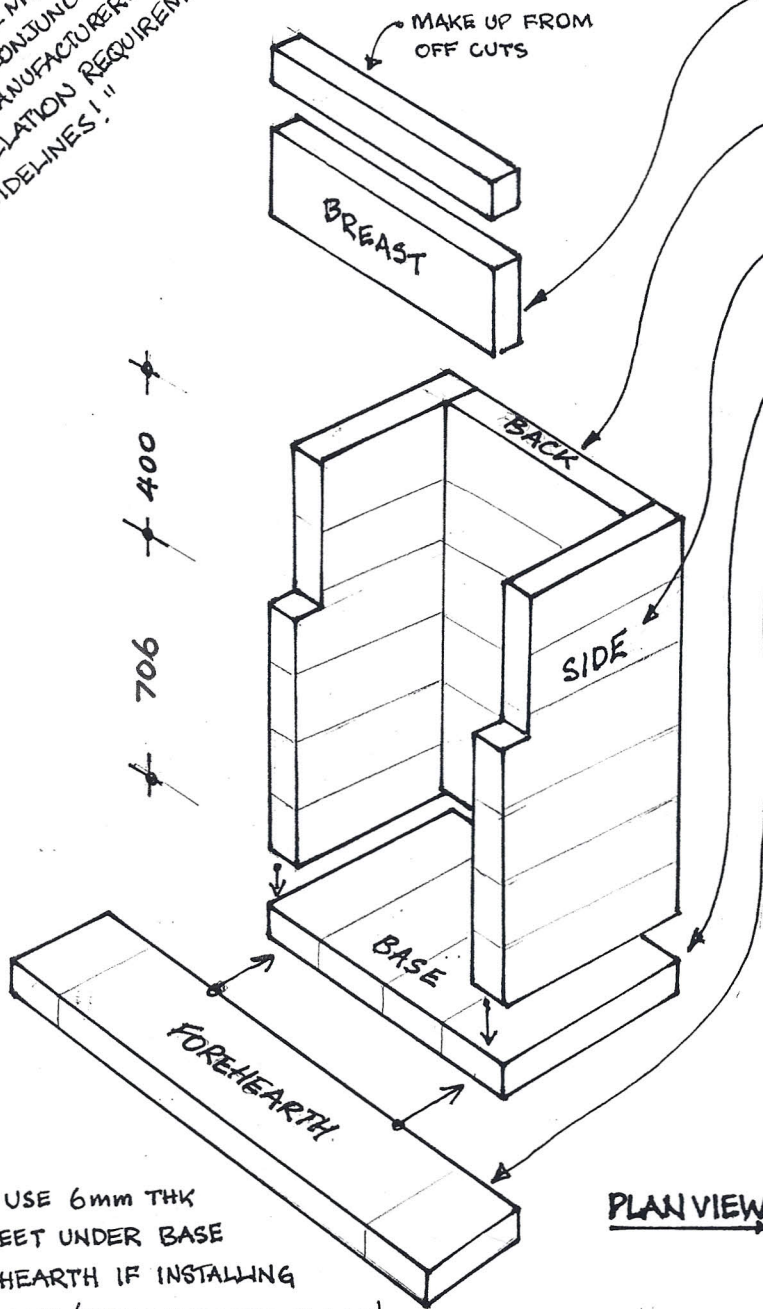




STANDARD HEBEL BLOCK ENCLOSURE

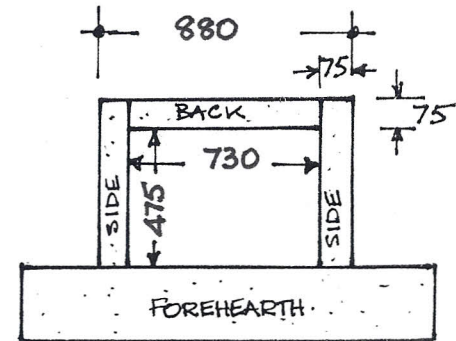
FOR MODEL: **OFF 3-0 WD**

* THIS DETAIL MUST BE READ IN CONJUNCTION WITH MANUFACTURERS' MINIMUM INSTALLATION REQUIREMENTS & GUIDELINES! "



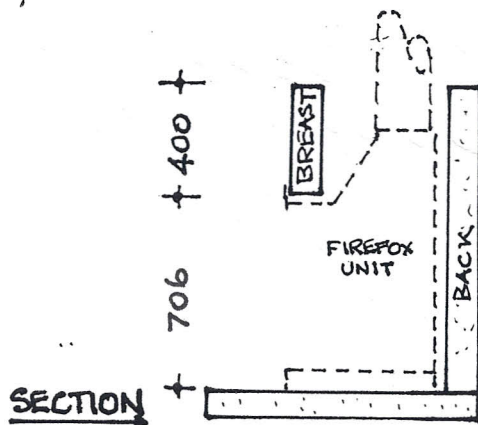
- BREAST = 1 X POWER PANEL
880 X 300 X 75 THK
- BACK = 9 X BLOCKS
600 X 200 X 75 THK.
- SIDES = 12 X BLOCKS
600 X 200 X 75 THK.
- BASE = 5 X BLOCKS
600 X 200 X 75 THK
- F' HEARTH = 1 X POWER PANEL
1200 X 300 X 75 THK.
PLUS Additional blocks as required.

- TOTAL BLOCKS = 28 (600x200x75)
- P. PANEL = 2 (1200x300x75)
- ADHESIVE = 1 (Bag Thin Bed)

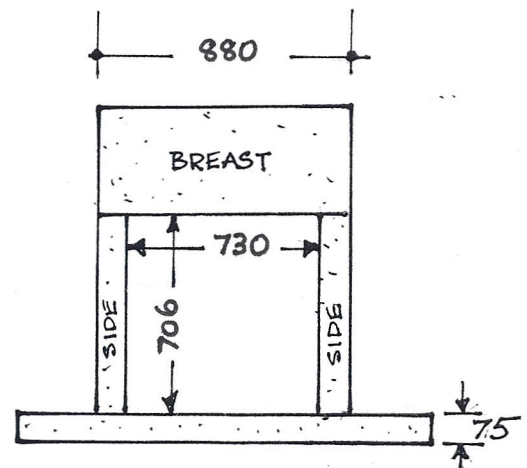


PLAN VIEW

* NOTE USE 6mm THK F.C. SHEET UNDER BASE & FOREHEARTH IF INSTALLING ON TIMBER/PARTICLE BOARD FLOOR!



SECTION



FRONT ELEV